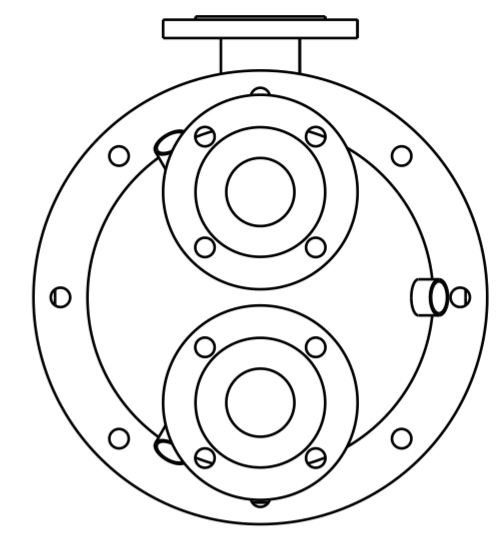
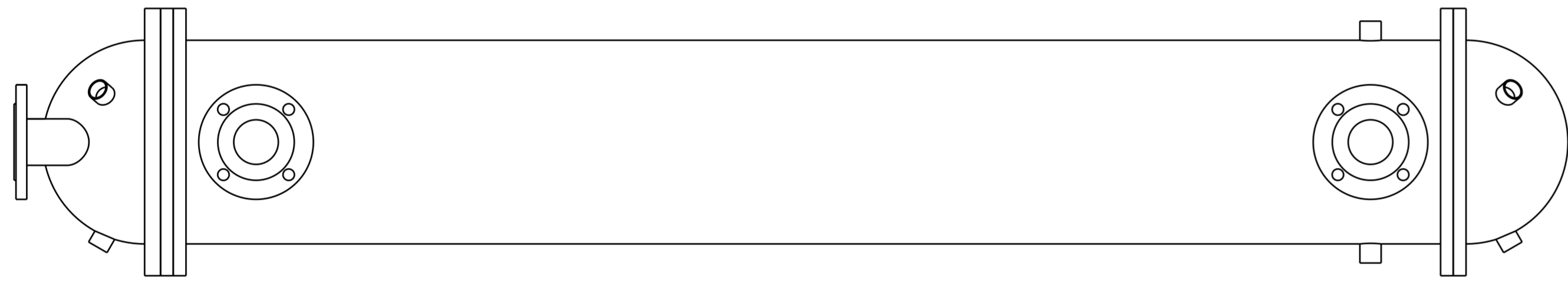


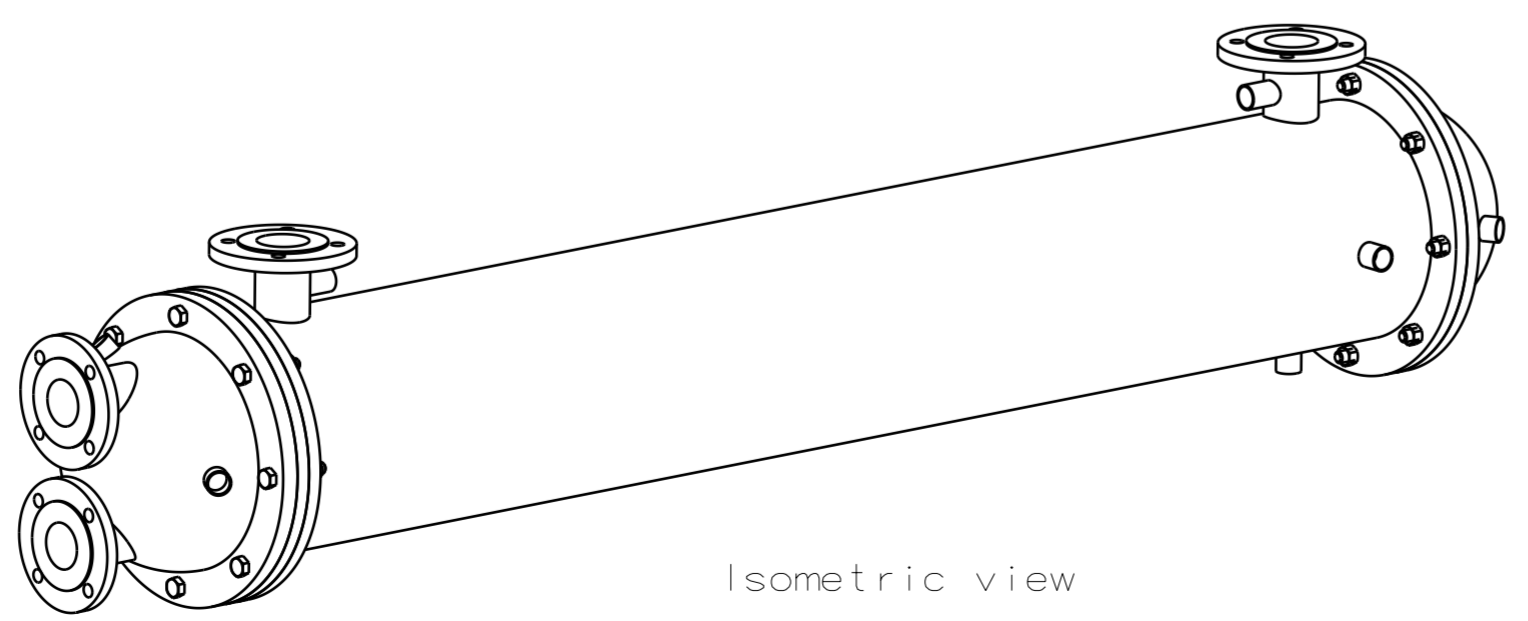
Front view




Left view



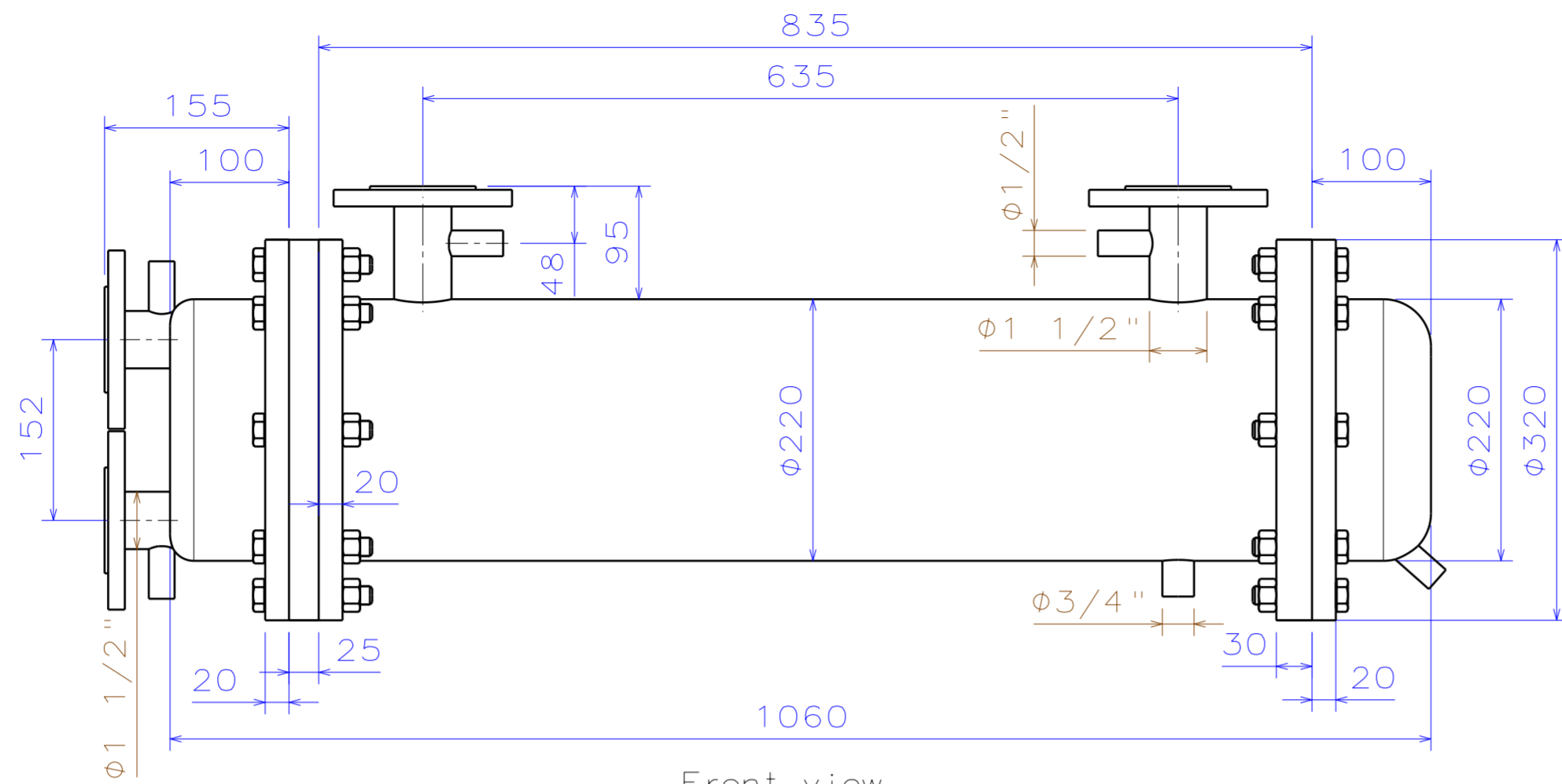
Top view



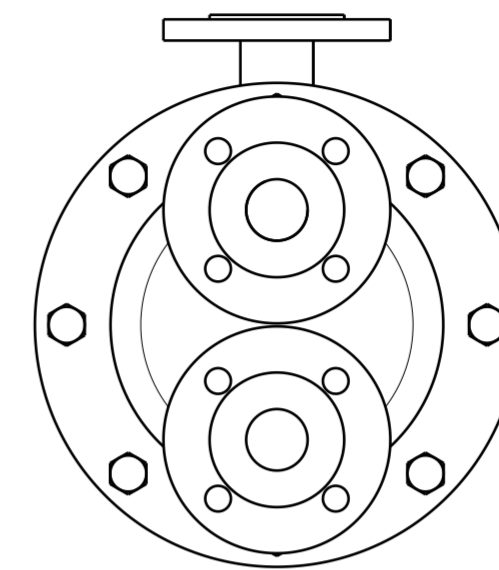
Isometric view

 شرکت سیمان قشم بهائی خانی		DRAWING TITLE		
		Heat Exchanger		
DRAWN BY		DRAWING NUMBER		
E. Tanasian		HE-1234		
CHECKED BY		CAPACITY	Ref. DRAWING	REV
E. Tanasian		21 m ²	گیز بکس آسیاب مواد و آسیاب سیمان ۲-هیدرو IDFAN	0
APPROVED BY		QTY:	MATERIAL:	SHEET
H. Ramedani		xx	XXX	1/1

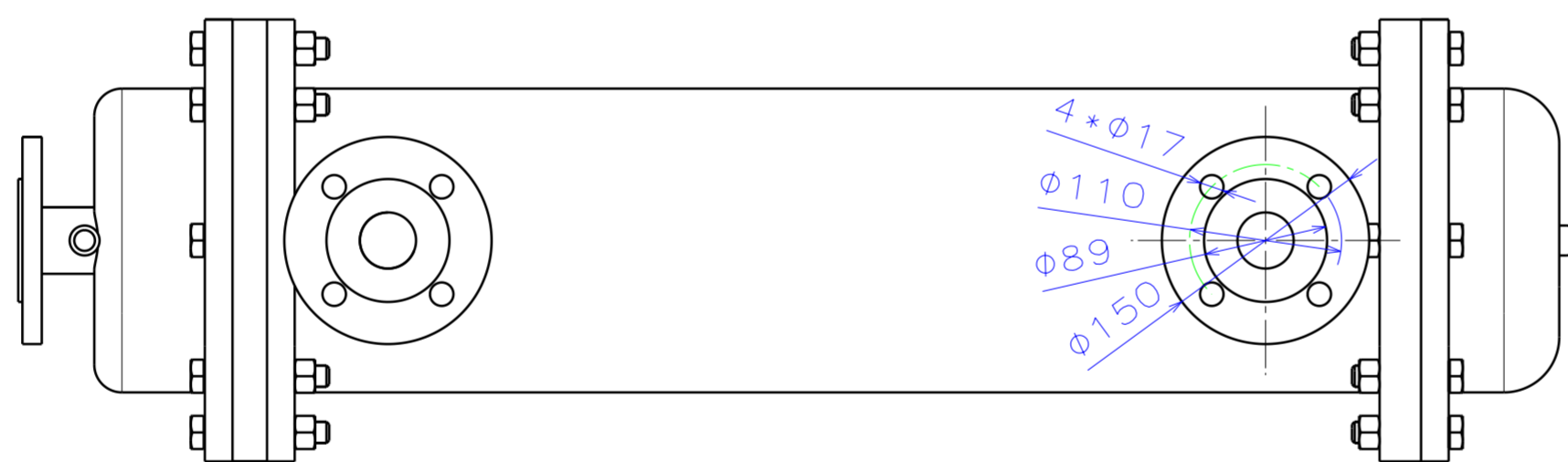
calandria oil cooler	Type	GLL4-20/0.63		1 set
	Normal pressure	MPa	0.63	Use soft water through filtering
	Cooling area	M ²	20	
	Water consumption	M ³ /h	20~36	
	T of inlet water	°C	≤30	
	Permitted pressure difference	MPa	≤0.1	Side of water ≤0.05
	Diameter	mm	80	
	Pressure of water	MPa	0.2~0.3	




Front view
Scale: 1:5



Left view
Scale: 1:5



Top view
Scale: 1:5

 شرکت سیدان قسم جهانی خانی		DRAWING TITLE			
		Heat Exchanger			
DRAWN BY		DATE		DRAWING NUMBER	
E.Tanasian		1399/11/12		XXX	
CHECKED BY		DATE		SIZE	Ref. DRAWING
H.Ramedani		1399/11/12		A2	XXX
APPROVED BY		DATE		QTY:	MATERIAL:
A.Nilforoushan		1399/11/12		xx	XXX
				SHEET	1/1

Oil cooler of column pipe	Type (code)	HR4005.13A.00		Water drop ≤ 0.05 Use the soft water through filtering.
	Normal pressure	MPa	0.63	
	Cooling area	M ²	5	
	Caliber	mm	32	
	Permitted pressure difference	MPa	≤ 0.1	
	T of inlet water	°C	≤ 28	
	Water consumption	M ³ /h	3.6	
	Water pressure	MPa	0.2~0.3	
Volume of oil tank		M ³	1	
T of oil supplied		°C	40±3	