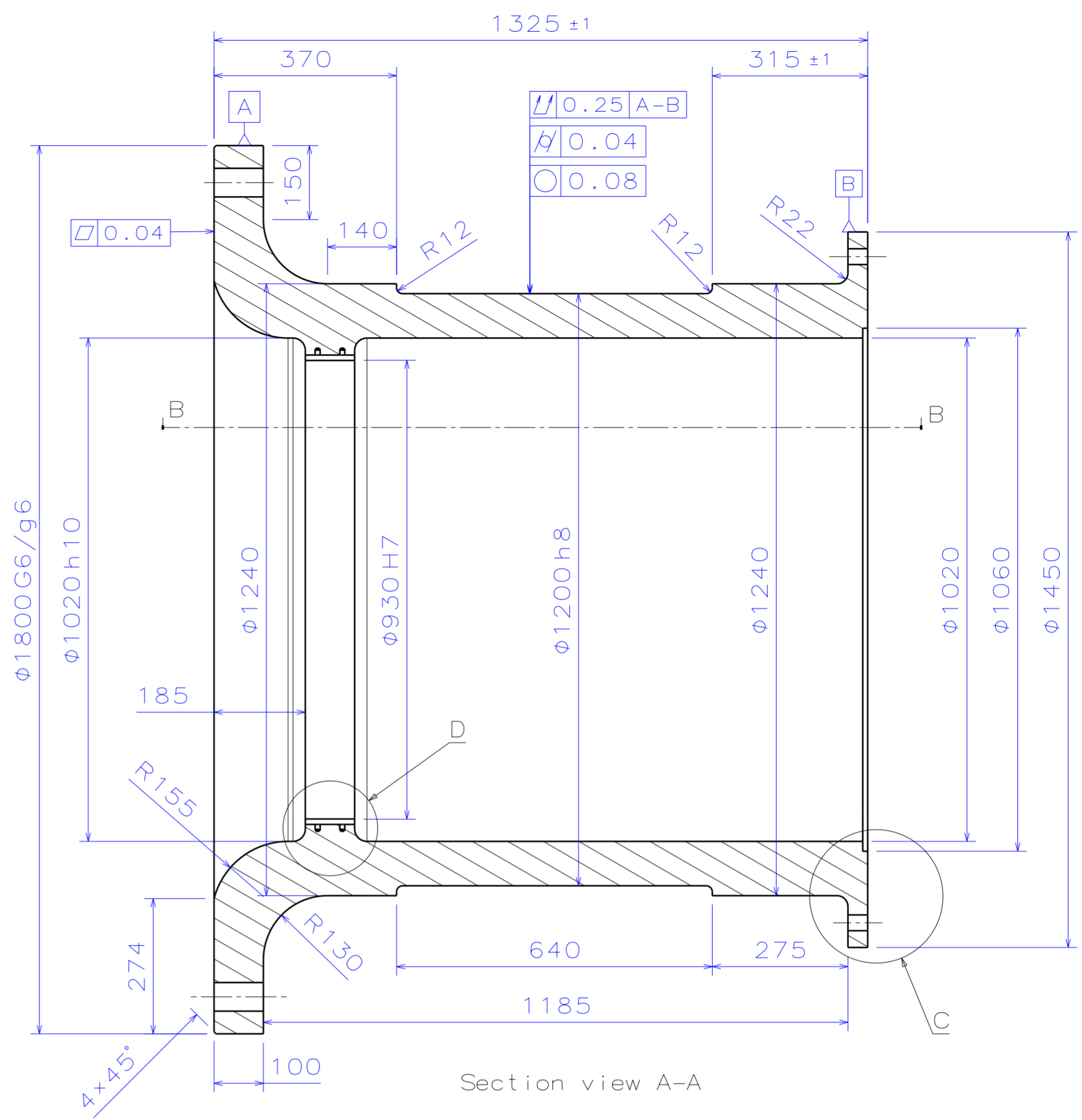
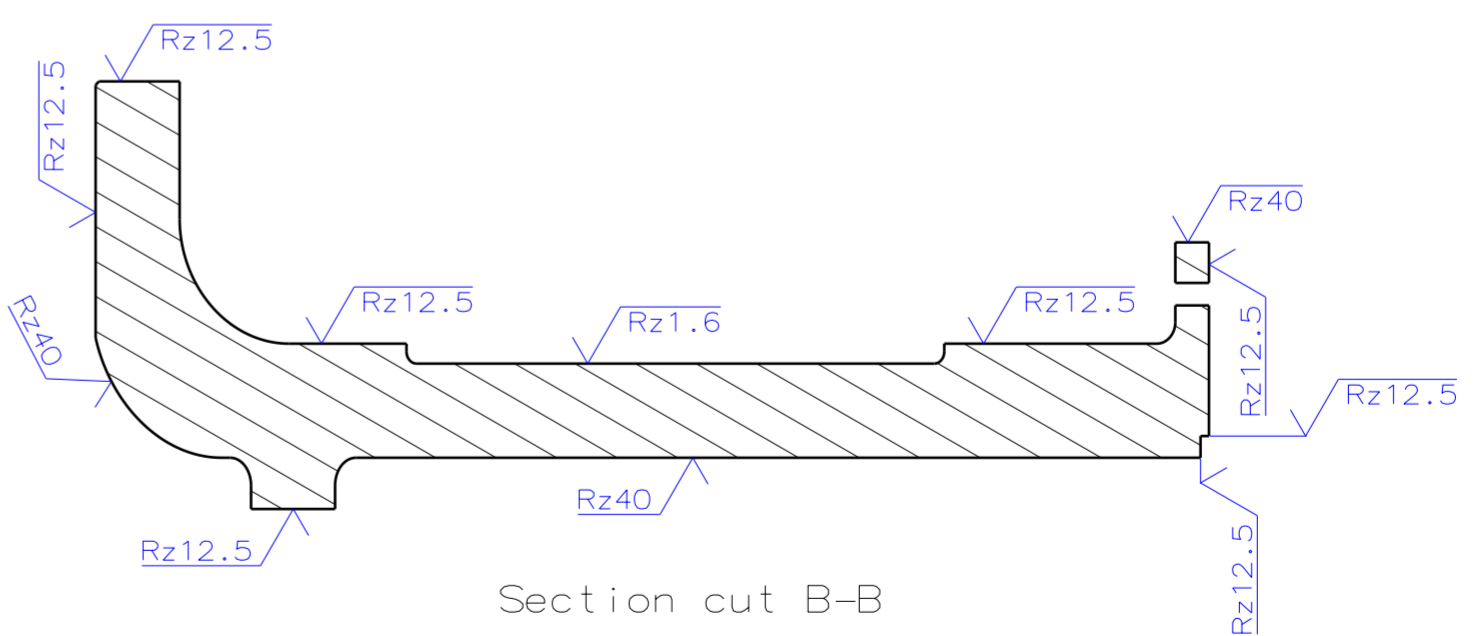


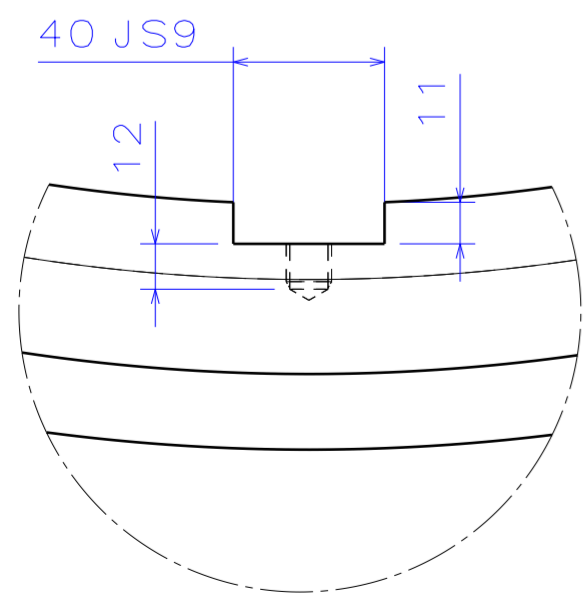
Front view



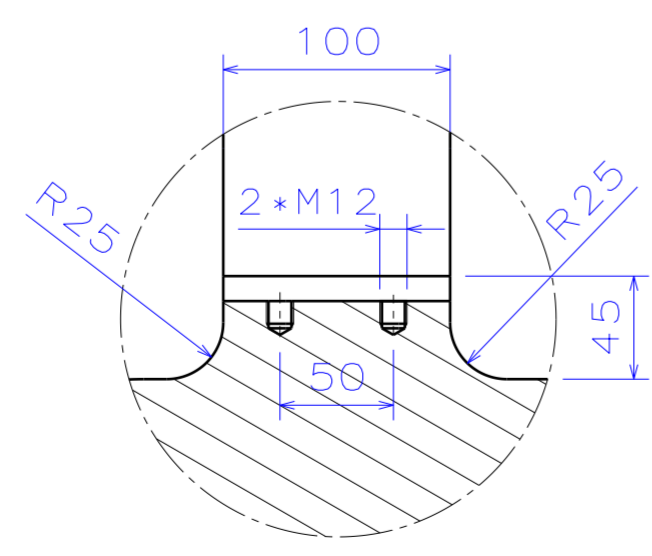
Section view A-A



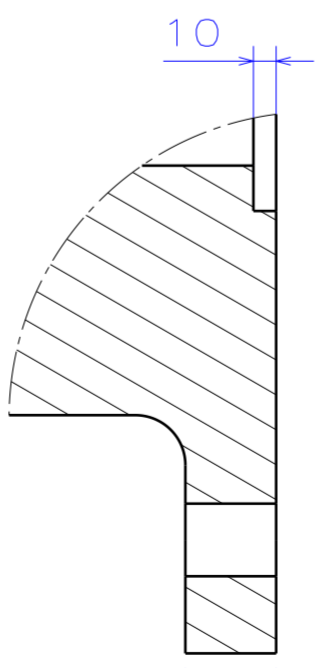
Section cut B-B



Detail E



Detail D



Detail C

		DRAWING TITLE		
		Inlet Trunnion		
DRAWING NUMBER		M1160.2-1		
DRAWN BY	DATE	WEIGHT	Ref. DRAWING	
E. Tanasian	1402/02/20	4905kg	M1160.2	
CHECKED BY	DATE	QTY:	REV	
E. Tanasian	1402/02/20	1	0	
APPROVED BY	DATE	MATERIAL:	SHEET	
H. Ramedani	1402/02/20	ZG230-450	1/1	